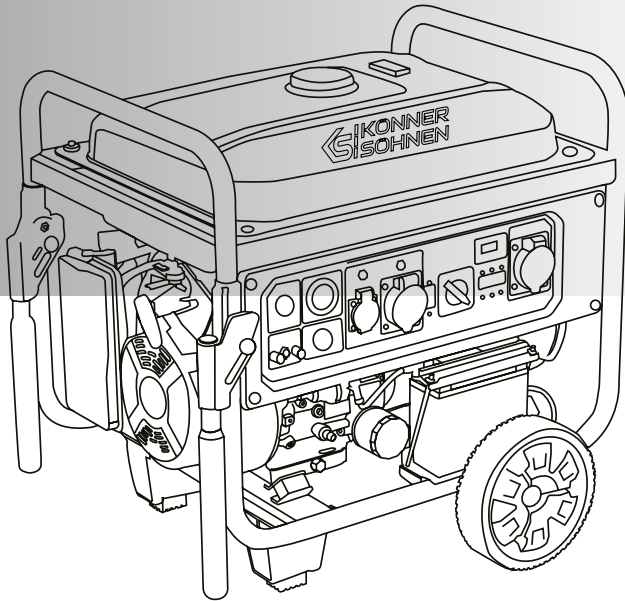


GASOLINE GENERATORS EXPLODED VIEW

KS 12-1E ATSR

KS 12-1E 1/3 ATSR



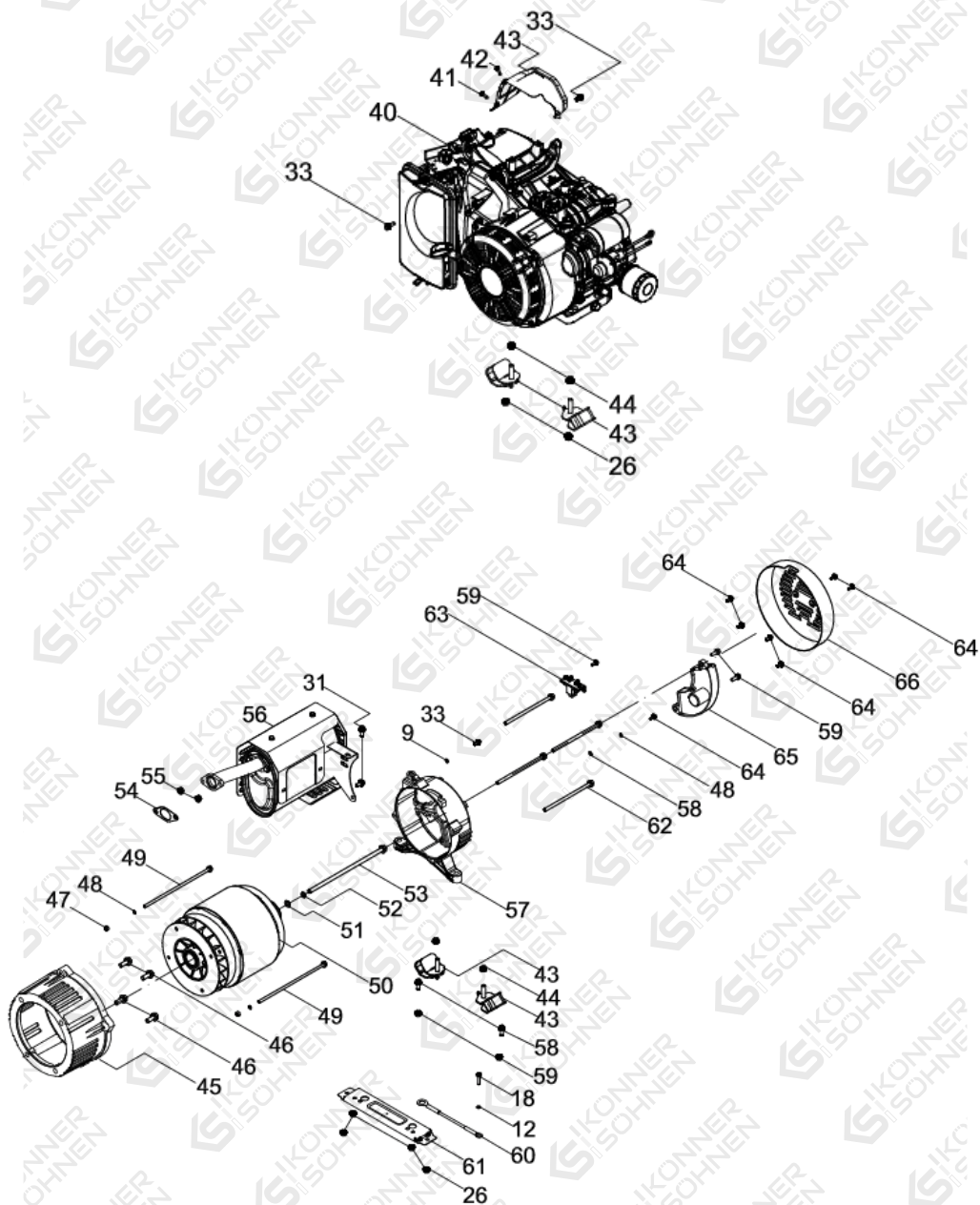
TRADITIONELLE DEUTSCHE QUALITÄT

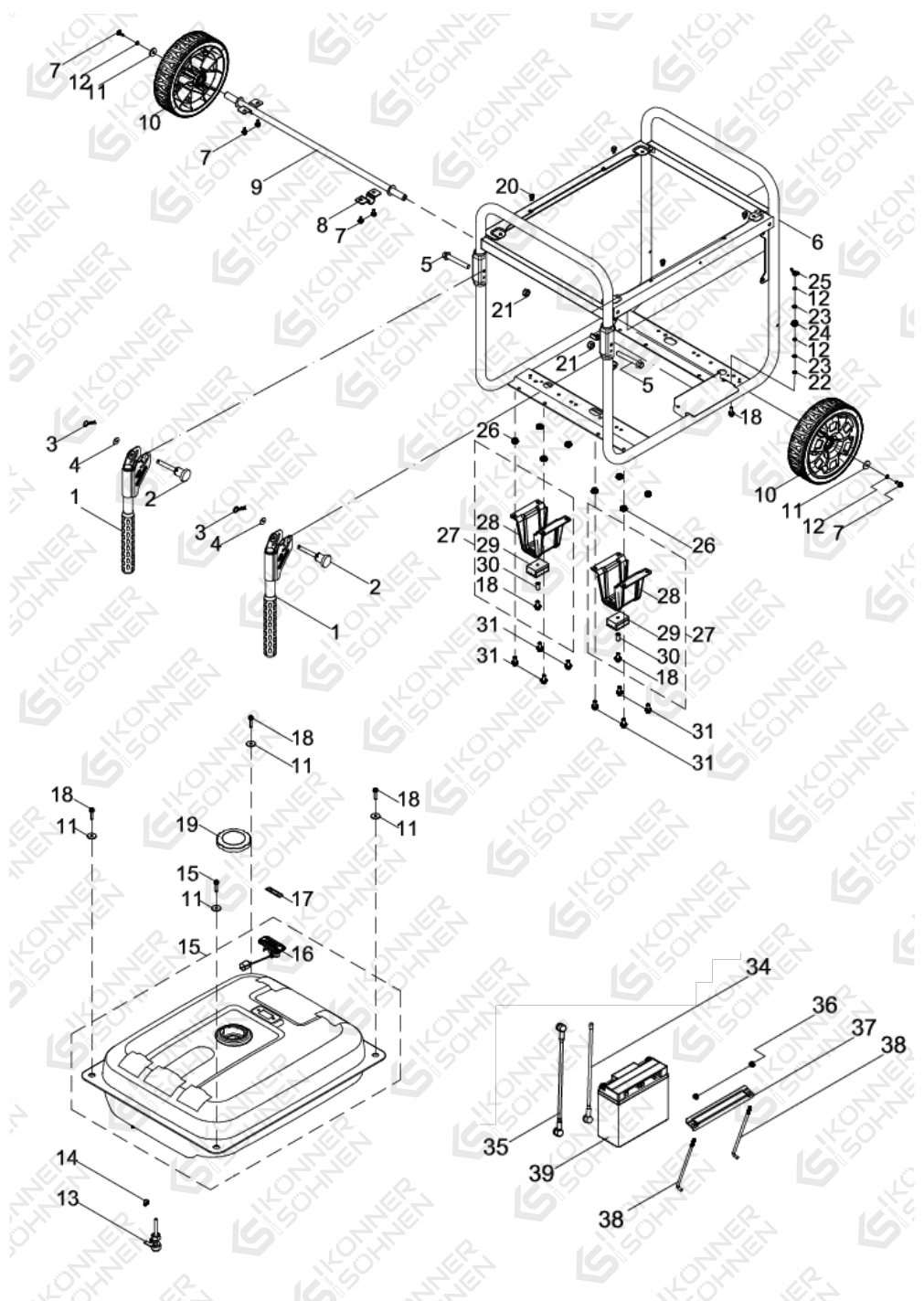
CONTENTS

1. Parts of generator.....	2
2. Parts of engine.....	7
3. Parts of panel.....	15
4. Electric scheme.....	17

! This material is for informational purposes only and is not an instruction. The connection of the equipment in each case must be performed by a certified electrician, in accordance with local laws and regulations. Before connecting, we urge you to read the recommendations in the manual for the generator. The manufacturer is not responsible for improper connection of equipment, and is not responsible for possible material and physical damage that may occur as a result of improper installation, connection or operation of equipment.

1. PARTS OF GENERATOR



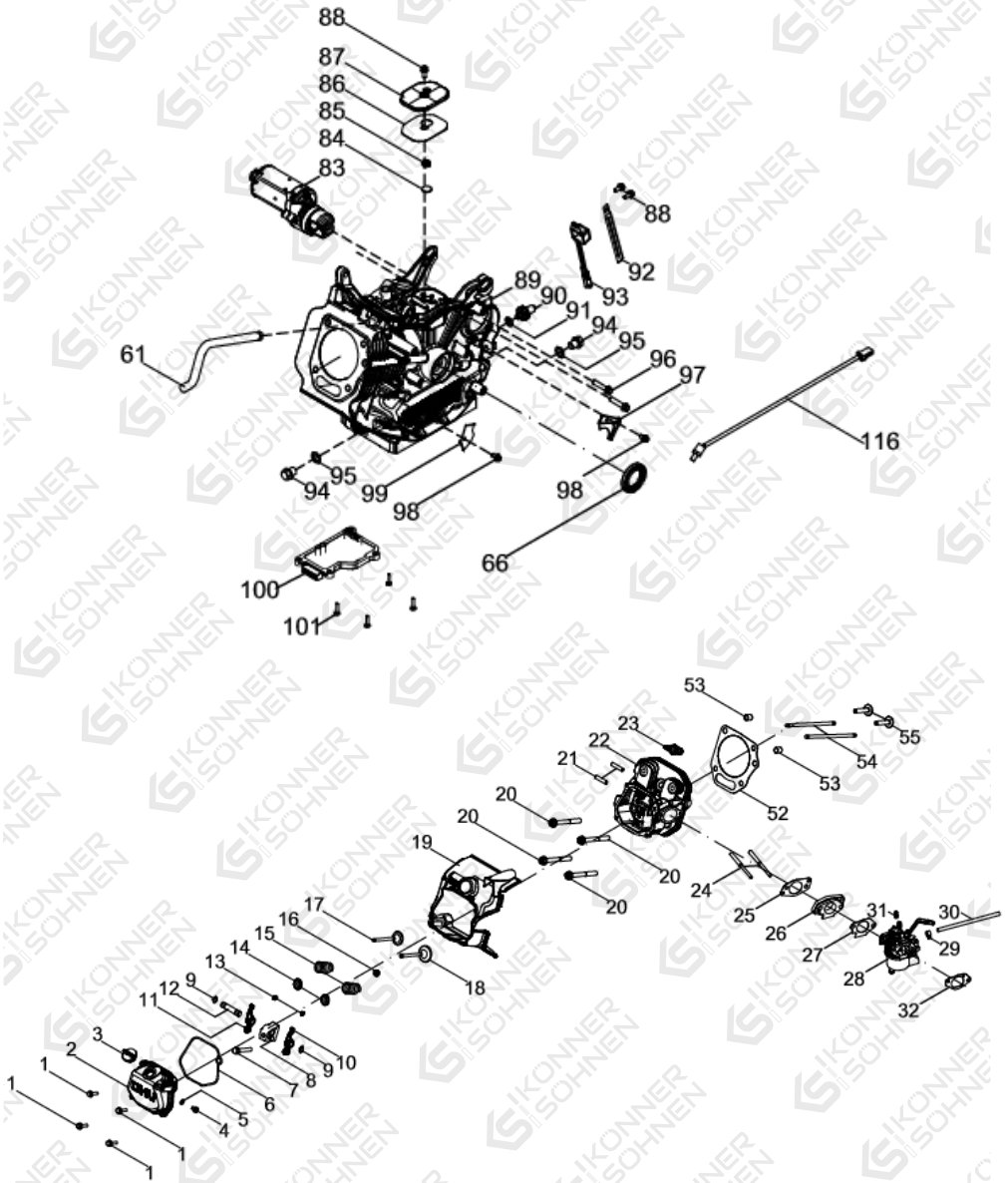


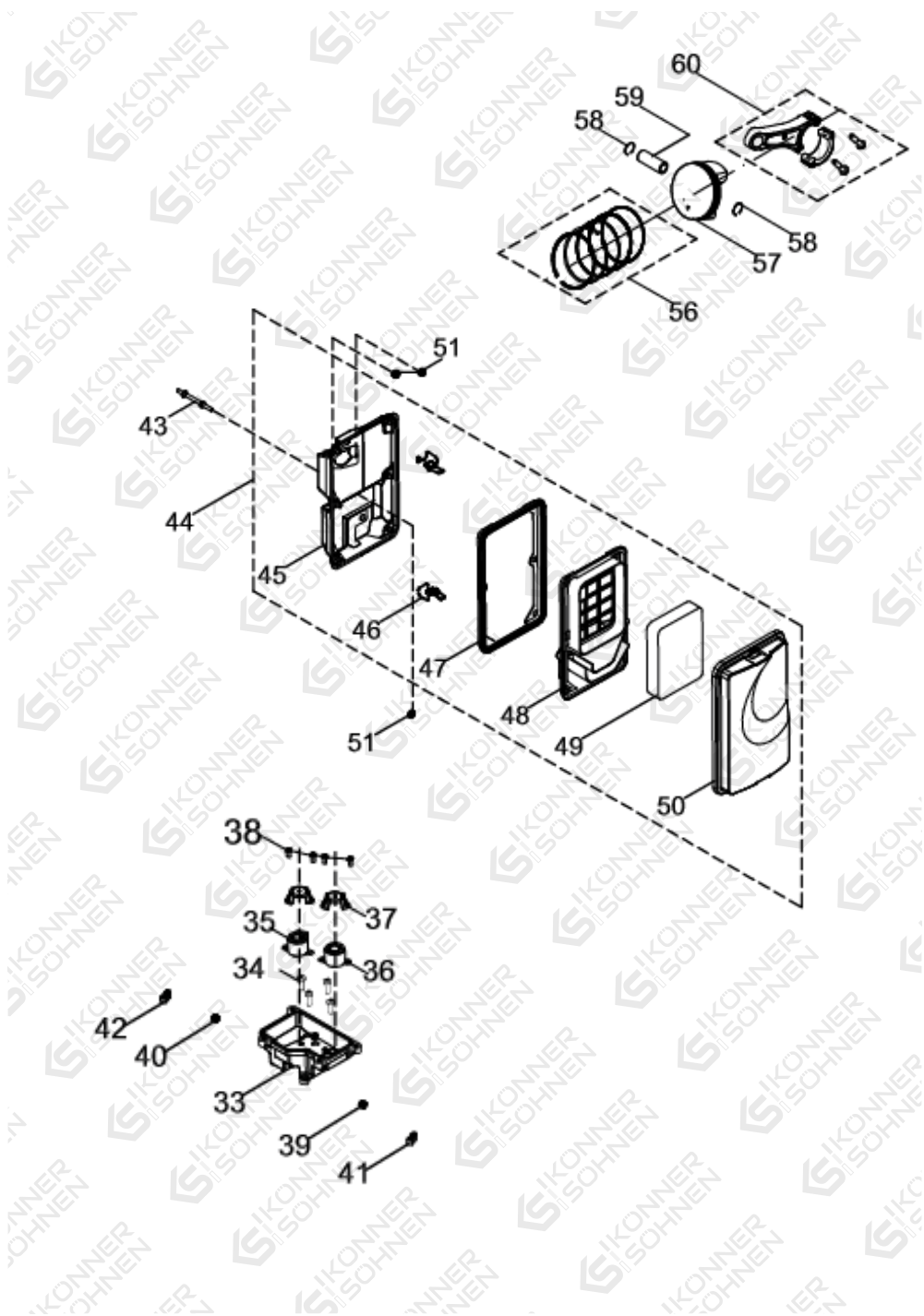
No	REF. No	DESCRIPTION	QTY
1	KS 12-1E(1/3) ATSR-1-01	Handle	2
2	KS 12-1E(1/3) ATSR-1-02	SpRing Pin	2
3	KS 12-1E(1/3) ATSR-1-03	Circlip	2
4	KS 12-1E(1/3) ATSR-1-04	Nylon Washer	2
5	KS 12-1E(1/3) ATSR-1-05	Bolt, M8×55	2
6	KS 12-1E(1/3) ATSR-1-06	Frame Assembly	1
7	KS 12-1E(1/3) ATSR-1-07	Bolt, M6×14	6
8	KS 12-1E(1/3) ATSR-1-08	Wheel Support	1
9	KS 12-1E(1/3) ATSR-1-09	Wheel Shaft Assembly	1
10	KS 12-1E(1/3) ATSR-1-10	Tire	2
11	KS 12-1E(1/3) ATSR-1-11	Washer, φ6.5×2×φ25	6
12	KS 12-1E(1/3) ATSR-1-12	Washer, φ6	4
13	KS 12-1E(1/3) ATSR-1-13	Fuel Switch	1
14	KS 12-1E(1/3) ATSR-1-14	Clamp	1
15	KS 12-1E(1/3) ATSR-1-15	Fuel Tank	1
16	KS 12-1E(1/3) ATSR-1-16	Fuel Meter	1
17	KS 12-1E(1/3) ATSR-1-17	Oily Sense Clip	1
18	KS 12-1E(1/3) ATSR-1-18	Bolt, M6×25	5
19	KS 12-1E(1/3) ATSR-1-19	Fuel Cap	1
20	KS 12-1E(1/3) ATSR-1-20	Damping Pad	4
21	KS 12-1E(1/3) ATSR-1-21	Nut M8	2
22	KS 12-1E(1/3) ATSR-1-22	Washer, φ6	1
23	KS 12-1E(1/3) ATSR-1-23	Washer, φ6	2
24	KS 12-1E(1/3) ATSR-1-24	Nut, M6	1
25	KS 12-1E(1/3) ATSR-1-25	Nut, M6	1

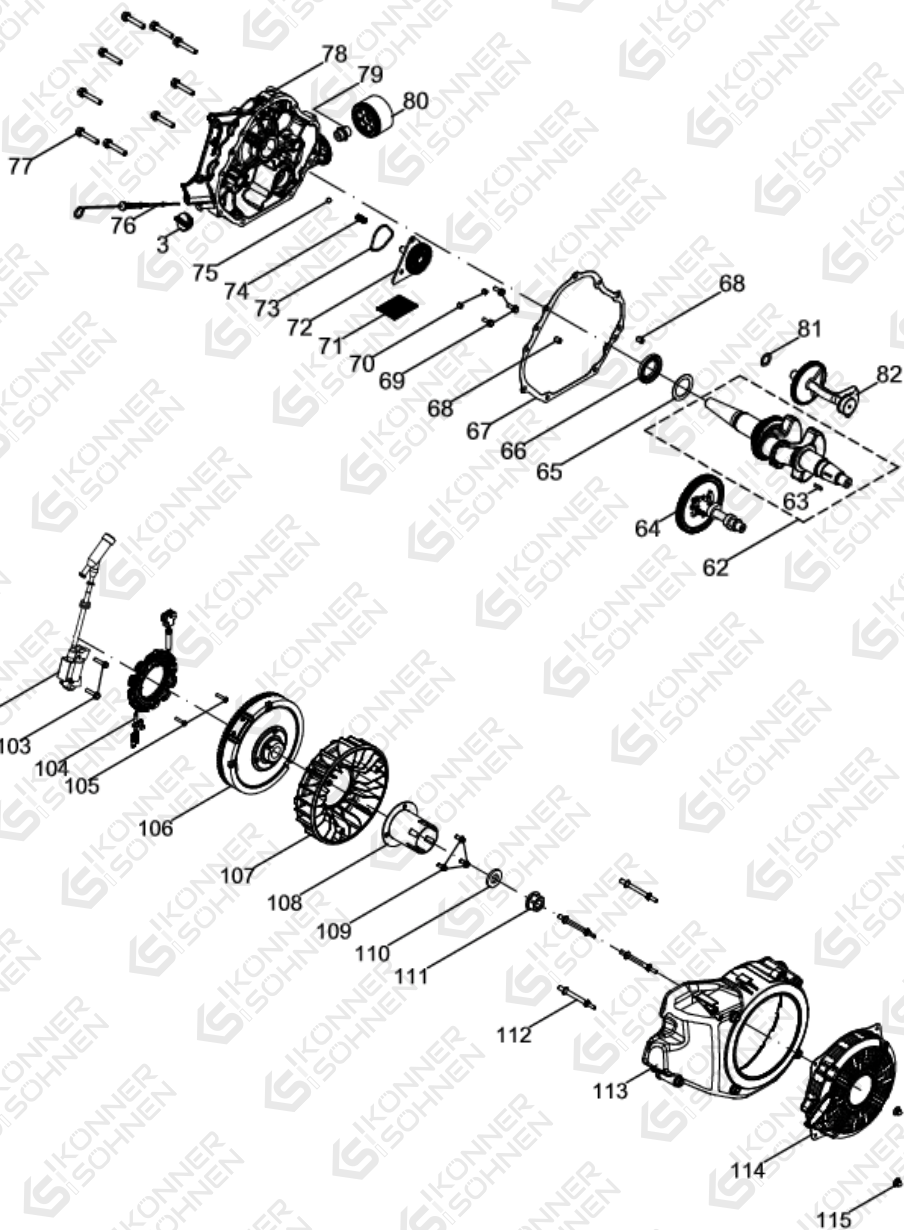
No	REF. No	DESCRIPTION	QTY
26	KS 12-1E(1/3) ATSR-1-26	Nut, M8	14
27	KS 12-1E(1/3) ATSR-1-27	Support Base	2
28	KS 12-1E(1/3) ATSR-1-28	Support Base	2
29	KS 12-1E(1/3) ATSR-1-29	Damping Pad	2
30	KS 12-1E(1/3) ATSR-1-30	Bush, $\phi 8 \times \phi 6 \times 12$	2
31	KS 12-1E(1/3) ATSR-1-31	Bolt, M8 \times 16	12
34	KS 12-1E(1/3) ATSR-1-34	Cathode Wire	1
35	KS 12-1E(1/3) ATSR-1-35	Anode Wire	1
36	KS 12-1E(1/3) ATSR-1-36	Nut, M6	2
37	KS 12-1E(1/3) ATSR-1-37	Binder Plate	1
38	KS 12-1E(1/3) ATSR-1-38	Bolt	2
39	KS 12-1E(1/3) ATSR-1-39	Battery	1
40	KS 12-1E(1/3) ATSR-1-40	Engine	1
41	KS 12-1E(1/3) ATSR-1-41	Self-tapping Screw, ST4.2 \times 19	2
42	KS 12-1E(1/3) ATSR-1-42	Cylinder Head Baffle	1
43	KS 12-1E(1/3) ATSR-1-43	Damping Pad	4
44	KS 12-1E(1/3) ATSR-1-44	Nut, M10 \times 1.25	4
45	KS 12-1E(1/3) ATSR-1-45	Front End Cover	1
46	KS 12-1E(1/3) ATSR-1-46	Bolt, M10 \times 1.25 \times 35	4
47	KS 12-1E(1/3) ATSR-1-47	Nut, M5	2
48	KS 12-1E(1/3) ATSR-1-48	Washer, $\phi 5$	3
49	KS 12-1E(1/3) ATSR-1-49	Bolt, M5 \times 240	2
50	KS 12-1E ATSR-1-50	Alternator for model KS 12-1E ATSR	1
	KS 12-1E 1/3 ATSR-1-50	Alternator for model KS 12-1E 1/3 ATSR	1
51	KS 12-1E(1/3) ATSR-1-51	Washer, $\phi 10 \times 4 \times \phi 30$	1

No	REF. No	DESCRIPTION	QTY
52	KS 12-1E(1/3) ATSR-1-52	Washer, φ10	1
53	KS 12-1E(1/3) ATSR-1-53	Bolt, M10×1.25×273	1
54	KS 12-1E(1/3) ATSR-1-54	Gasket, Muffler	1
55	KS 12-1E(1/3) ATSR-1-55	Nut, M8	2
56	KS 12-1E(1/3) ATSR-1-56	Muffler	1
57	KS 12-1E(1/3) ATSR-1-57	Rear Bracket	1
58	KS 12-1E(1/3) ATSR-1-58	Washer, φ5	1
59	KS 12-1E(1/3) ATSR-1-59	Bolt, M5×18	3
60	KS 12-1E(1/3) ATSR-1-60	Earth Wire	1
61	KS 12-1E(1/3) ATSR-1-61	Reinforcement Support	1
62	KS 12-1E(1/3) ATSR-1-62	Bolt, M6×200	4
63	KS 12-1E(1/3) ATSR-1-63	Brush	1
64	KS 12-1E(1/3) ATSR-1-64	Bolt, M5×14	7
65	KS 12-1E ATSR-1-65	Voltage Regulator for model KS 12-1E ATSR	1
	KS 12-1E 1/3 ATSR-1-65	Voltage Regulator for model KS 12-1E 1/3 ATSR	1
66	KS 12-1E(1/3) ATSR-1-66	End Cover	1

2. PARTS OF ENGINE







No	REF. No	DESCRIPTION	QTY
1	KS 12-1E(1/3) ATSR-2-01	Bolt, M6×25	4
2	KS 12-1E(1/3) ATSR-2-02	Valve Cover	1
3	KS 12-1E(1/3) ATSR-2-03	Oil Plug	2
4	KS 12-1E(1/3) ATSR-2-04	Bolt, M6×8	1
5	KS 12-1E(1/3) ATSR-2-05	Washer	1
6	KS 12-1E(1/3) ATSR-2-06	Gasket, Valve Cover	1
7	KS 12-1E(1/3) ATSR-2-07	Bolt, M8×50	1
8	KS 12-1E(1/3) ATSR-2-08	Rocker Arm Base	1
9	KS 12-1E(1/3) ATSR-2-09	Retaining Ring, 12	2
10	KS 12-1E(1/3) ATSR-2-10	Rocker Arm	1
11	KS 12-1E(1/3) ATSR-2-11	Rocker Arm	1
12	KS 12-1E(1/3) ATSR-2-12	Rocker Arm Coreshaft	1
13	KS 12-1E(1/3) ATSR-2-13	Valve Locker	4
14	KS 12-1E(1/3) ATSR-2-14	Valve Spring Seat	2
15	KS 12-1E(1/3) ATSR-2-15	Valve Spring	2
16	KS 12-1E(1/3) ATSR-2-16	Intake Valve Seal	1
17	KS 12-1E(1/3) ATSR-2-17	Exhaust Valve	1
18	KS 12-1E(1/3) ATSR-2-18	Intake Valve	1
19	KS 12-1E(1/3) ATSR-2-19	Shroud	1
20	KS 12-1E(1/3) ATSR-2-20	Bolt, M10×95	4
21	KS 12-1E(1/3) ATSR-2-21	Stud, M8×32	2
22	KS 12-1E(1/3) ATSR-2-22	Cylinder Head	1
23	KS 12-1E(1/3) ATSR-2-23	Spark Plug	1
24	KS 12-1E(1/3) ATSR-2-24	Stud, M6-8×110	2
25	KS 12-1E(1/3) ATSR-2-25	Gasket, Carburetor Insulator	1

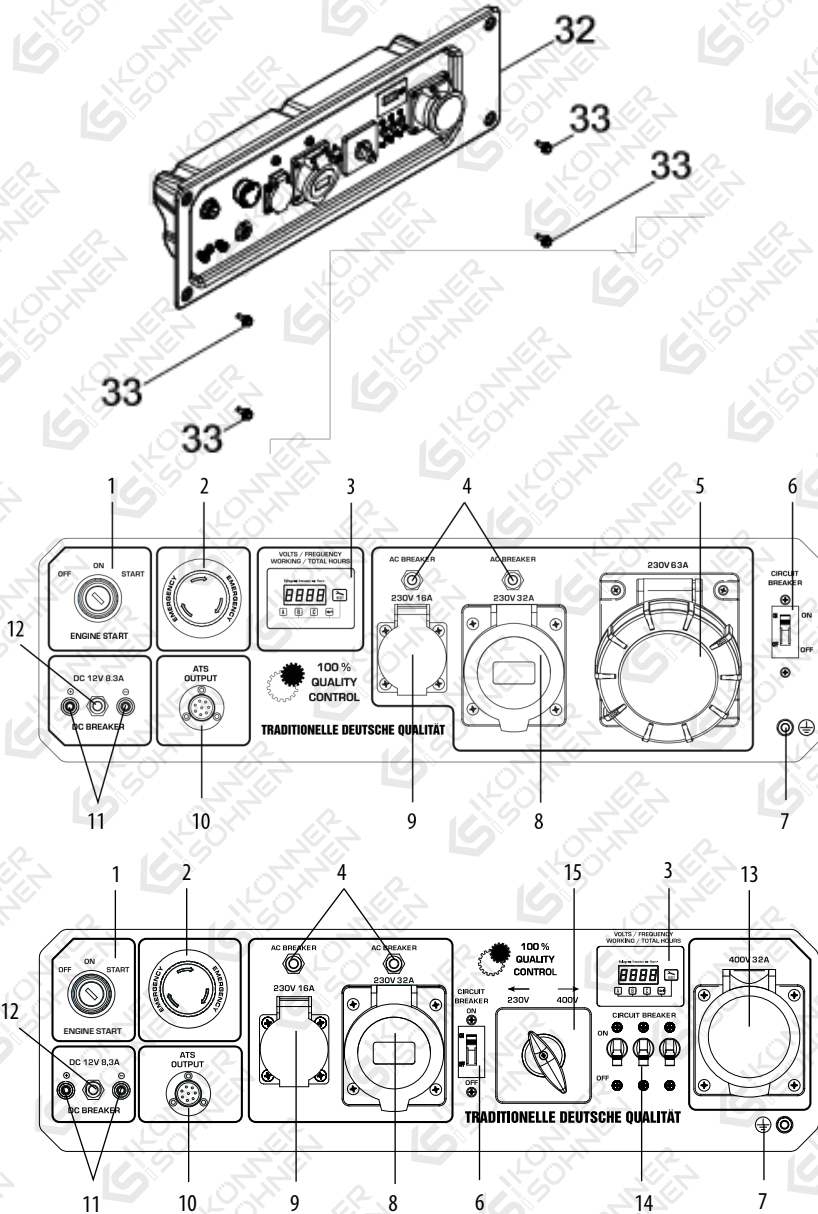
No	REF. No	DESCRIPTION	QTY
26	KS 12-1E(1/3) ATSR-2-26	Insulator	1
27	KS 12-1E(1/3) ATSR-2-27	Gasket, Carburetor	1
28	KS 12-1E(1/3) ATSR-2-28	Carburetor	1
29	KS 12-1E(1/3) ATSR-2-29	Clamp	1
30	KS 12-1E(1/3) ATSR-2-30	Fuel Hose, $\phi 6.3 \times \phi 12.5 \times 210$	1
31	KS 12-1E(1/3) ATSR-2-31	Guide Clamp	1
32	KS 12-1E(1/3) ATSR-2-32	Gasket, Air Filter	1
33	KS 12-1E(1/3) ATSR-2-33	Motor Base	1
34	KS 12-1E(1/3) ATSR-2-34	Screw, M4x16	4
35	KS 12-1E(1/3) ATSR-2-35	Stepping Motor	1
36	KS 12-1E(1/3) ATSR-2-36	Stepping Motor	1
37	KS 12-1E(1/3) ATSR-2-37	Stepping Motor Cover	2
38	KS 12-1E(1/3) ATSR-2-38	Screw, M4x8	4
39	KS 12-1E(1/3) ATSR-2-39	Spring	1
40	KS 12-1E(1/3) ATSR-2-40	Spring	1
41	KS 12-1E(1/3) ATSR-2-41	Guide Clamp	1
42	KS 12-1E(1/3) ATSR-2-42	Guide Clamp	1
43	KS 12-1E(1/3) ATSR-2-43	Stud, M6x84	1
44	KS 12-1E(1/3) ATSR-2-44	Air Filter Assembly	1
45	KS 12-1E(1/3) ATSR-2-45	Air Filter Base	1
46	KS 12-1E(1/3) ATSR-2-46	Air Filter Clip	2
47	KS 12-1E(1/3) ATSR-2-47	Gasket, Air Filter	1
48	KS 12-1E(1/3) ATSR-2-48	Air Filter Baffle	1
49	KS 12-1E(1/3) ATSR-2-49	Air Filter Element	1
50	KS 12-1E(1/3) ATSR-2-50	Air Filter Cover	1

No	REF. No	DESCRIPTION	QTY
51	KS 12-1E(1/3) ATSR-2-51	Nut, M6	3
52	KS 12-1E(1/3) ATSR-2-52	Gasket, Cylinder Head	1
53	KS 12-1E(1/3) ATSR-2-53	Pin, $\varnothing 13 \times 16 \times \varnothing 10.2$	2
54	KS 12-1E(1/3) ATSR-2-54	Push Rod	2
55	KS 12-1E(1/3) ATSR-2-55	Tappet	2
56	KS 12-1E(1/3) ATSR-2-56	Piston Ring Set	1
57	KS 12-1E(1/3) ATSR-2-57	Piston	1
58	KS 12-1E(1/3) ATSR-2-58	Circlip	2
59	KS 12-1E(1/3) ATSR-2-59	Piston Pin	1
60	KS 12-1E(1/3) ATSR-2-60	Connecting Rod Assembly	1
61	KS 12-1E(1/3) ATSR-2-61	Breather Hose	1
62	KS 12-1E(1/3) ATSR-2-62	Crankshaft	1
63	KS 12-1E(1/3) ATSR-2-63	Woodruff Key	1
64	KS 12-1E(1/3) ATSR-2-64	Camshaft	1
65	KS 12-1E(1/3) ATSR-2-65	Washer, $\varnothing 38.3 \times 1 \times \varnothing 54$	1
66	KS 12-1E(1/3) ATSR-2-66	Oil Seal, $\varnothing 38 \times \varnothing 58 \times 8$	2
67	KS 12-1E(1/3) ATSR-2-67	Gasket, Crankcase	1
68	KS 12-1E(1/3) ATSR-2-68	Pin, $\varnothing 9 \times 12$	2
69	KS 12-1E(1/3) ATSR-2-69	Bolt, M6 \times 16	3
70	KS 12-1E(1/3) ATSR-2-70	Pin, $\varnothing 8 \times 8$	2
71	KS 12-1E(1/3) ATSR-2-71	Breather Filter Screen	1
72	KS 12-1E(1/3) ATSR-2-72	Oil Pump	1
73	KS 12-1E(1/3) ATSR-2-73	Gasket, Oil Pump	1
74	KS 12-1E(1/3) ATSR-2-74	Spring	1
75	KS 12-1E(1/3) ATSR-2-75	Steel Ball, $\varnothing 9.5$	1

No	REF. No	DESCRIPTION	QTY
76	KS 12-1E(1/3) ATSR-2-76	Dipstick	1
77	KS 12-1E(1/3) ATSR-2-77	Bolt, M8×45	9
78	KS 12-1E(1/3) ATSR-2-78	Crankcase Cover	1
79	KS 12-1E(1/3) ATSR-2-79	Connection Pipe	1
80	KS 12-1E(1/3) ATSR-2-80	Oil Filter	1
81	KS 12-1E(1/3) ATSR-2-81	Washer, $\phi 17.4 \times 1 \times \phi 25.9$	1
82	KS 12-1E(1/3) ATSR-2-82	Balance Shaft	1
83	KS 12-1E(1/3) ATSR-2-83	Electric Starter	1
84	KS 12-1E(1/3) ATSR-2-84	Breather Valve	1
85	KS 12-1E(1/3) ATSR-2-85	One-way Valve Spring	1
86	KS 12-1E(1/3) ATSR-2-86	Gasket, Breather Cover	1
87	KS 12-1E(1/3) ATSR-2-87	Breather Cover	1
88	KS 12-1E(1/3) ATSR-2-88	Bolt, M6×14	3
89	KS 12-1E(1/3) ATSR-2-89	Crankcase	1
90	KS 12-1E(1/3) ATSR-2-90	Oil Pressure Sensor	1
91	KS 12-1E(1/3) ATSR-2-91	Washer, $\phi 10 \times 1.5 \times \phi 17$	1
92	KS 12-1E(1/3) ATSR-2-92	Clip	1
93	KS 12-1E(1/3) ATSR-2-93	Oil Sensor	1
94	KS 12-1E(1/3) ATSR-2-94	Earth Bolt	2
95	KS 12-1E(1/3) ATSR-2-95	Washer, $\phi 14 \times 1.5 \times \phi 22$	2
96	KS 12-1E(1/3) ATSR-2-96	Bolt, M8×35	2
97	KS 12-1E(1/3) ATSR-2-97	Wire Board	1
98	KS 12-1E(1/3) ATSR-2-98	Bolt, M6×10	2
99	KS 12-1E(1/3) ATSR-2-99	Wire Board	1
100	KS 12-1E(1/3) ATSR-2-100	Integrated Controller	1

No	REF. No	DESCRIPTION	QTY
101	KS 12-1E(1/3) ATSR-2-101	Screw, M4x12	4
102	KS 12-1E(1/3) ATSR-2-102	Ignition Module	1
103	KS 12-1E(1/3) ATSR-2-103	Bolt, M6x28	2
104	KS 12-1E(1/3) ATSR-2-104	Charging Coil	1
105	KS 12-1E(1/3) ATSR-2-105	Bolt, M5x25	2
106	KS 12-1E(1/3) ATSR-2-106	Flywheel	1
107	KS 12-1E(1/3) ATSR-2-107	Cooling Fan	1
108	KS 12-1E(1/3) ATSR-2-108	Starter Cup	1
109	KS 12-1E(1/3) ATSR-2-109	Bolt, M6x14	3
110	KS 12-1E(1/3) ATSR-2-110	Washer, $\varnothing 20.5 \times 5 \times \varnothing 40$	1
111	KS 12-1E(1/3) ATSR-2-111	Nut, M20x1.5	1
112	KS 12-1E(1/3) ATSR-2-112	Stud, M8x105	4
113	KS 12-1E(1/3) ATSR-2-113	Blower Housing	1
114	KS 12-1E(1/3) ATSR-2-114	Recoil Starter	1
115	KS 12-1E(1/3) ATSR-2-115	Nut, M6	4
116	KS 12-1E(1/3) ATSR-2-116	Temperature Sensor	1

3. PARTS OF PANEL



No	REF. No	DESCRIPTION	QTY
1	KS 12-1E(1/3) ATSR-3-1	Start switch	1
2	KS 12-1E(1/3) ATSR-3-2	Emergency stop button	1
3	KS 12-1E(1/3) ATSR-3-3	LED-display	1
4	KS 12-1E(1/3) ATSR-3-4	AC output socket 230V	2
5	KS 12-1E ATSR-3-5	AC output socket 230V 63A	1
6	KS 12-1E(1/3) ATSR-3-6	AC circuit breaker 230V	1
7	KS 12-1E(1/3) ATSR-3-7	Grounded bolt	1
8	KS 12-1E(1/3) ATSR-3-8	AC output socket 230V 32A	1
9	KS 12-1E(1/3) ATSR-3-9	AC output socket 230V 16A	1
10	KS 12-1E(1/3) ATSR-3-10	ATS output	1
11	KS 12-1E(1/3) ATSR-3-11	DC terminals 12V	2
12	KS 12-1E(1/3) ATSR-3-12	DC breaker 12V	1
13	KS 12-1E 1/3 ATSR-3-13	AC output socket 400V 32A	1
14	KS 12-1E 1/3 ATSR-3-14	AC circuit breaker 400V	1
15	KS 12-1E 1/3 ATSR-3-15	VTS system (single-/three-phase switch (230V/ 400V))	1
32	KS 12-1E(1/3) ATSR-32	Control panel ASSY	1
33	KS 12-1E(1/3) ATSR-33	Bolt, M6×12	7
34	KS 12-1E(1/3) ATSR-3-34	Cathode Wire	1

4. ELECTRIC SCHEME

For model KS 12-1E ATSR

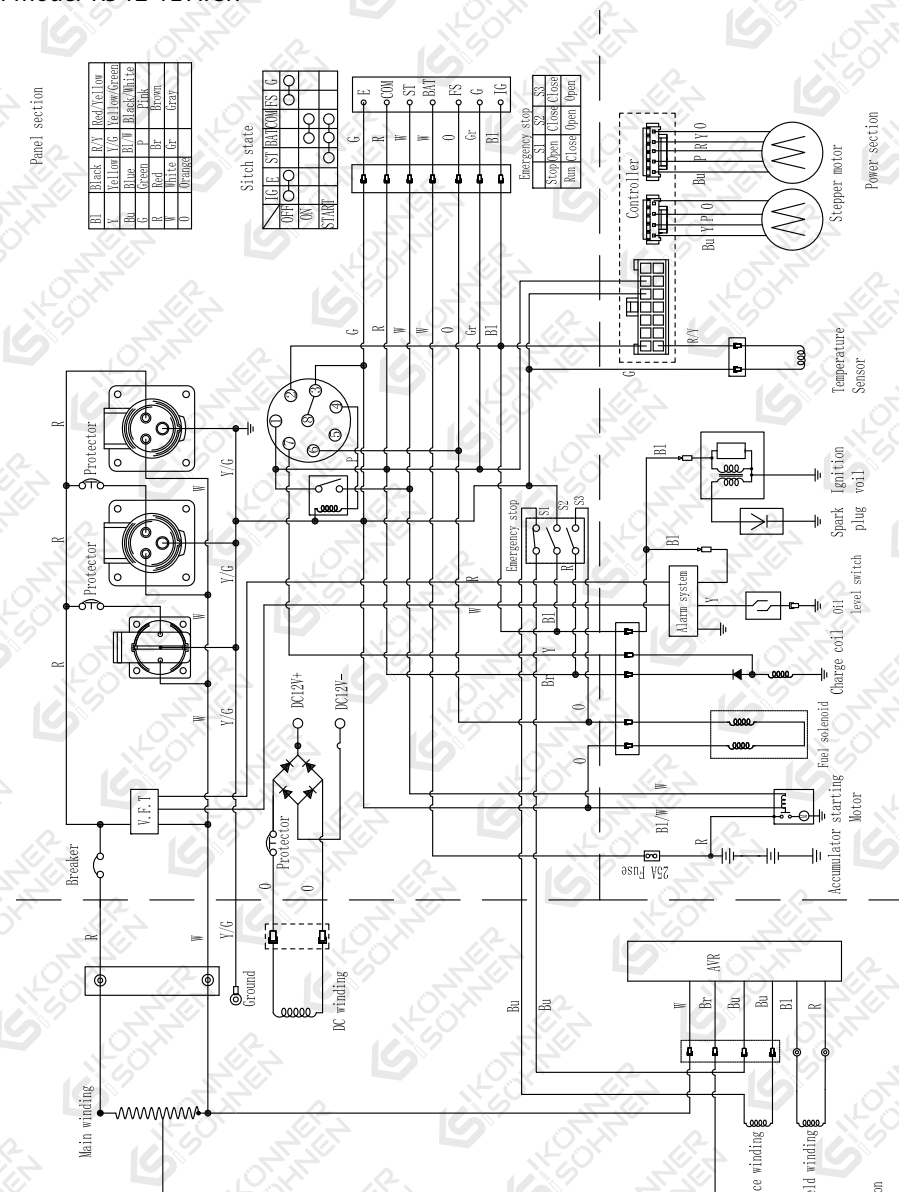
Panel section

B1	Black	R	Red	P1	Light
B2	Yellow	Y	Green	P2	Green
B3	Blue	B	Black	P3	Black
B4	Orange	O	White	P4	White
B5	Red	R	Blue	P5	Blue
B6	White	Gr	Brown	P6	Brown
B7	Orange	Gr	Orange	P7	Orange

Switch state

OFF	ON	ST	STOP	EM	ST	STOP	EM
○	○	○	○	○	○	○	○
○	○	○	○	○	○	○	○
○	○	○	○	○	○	○	○

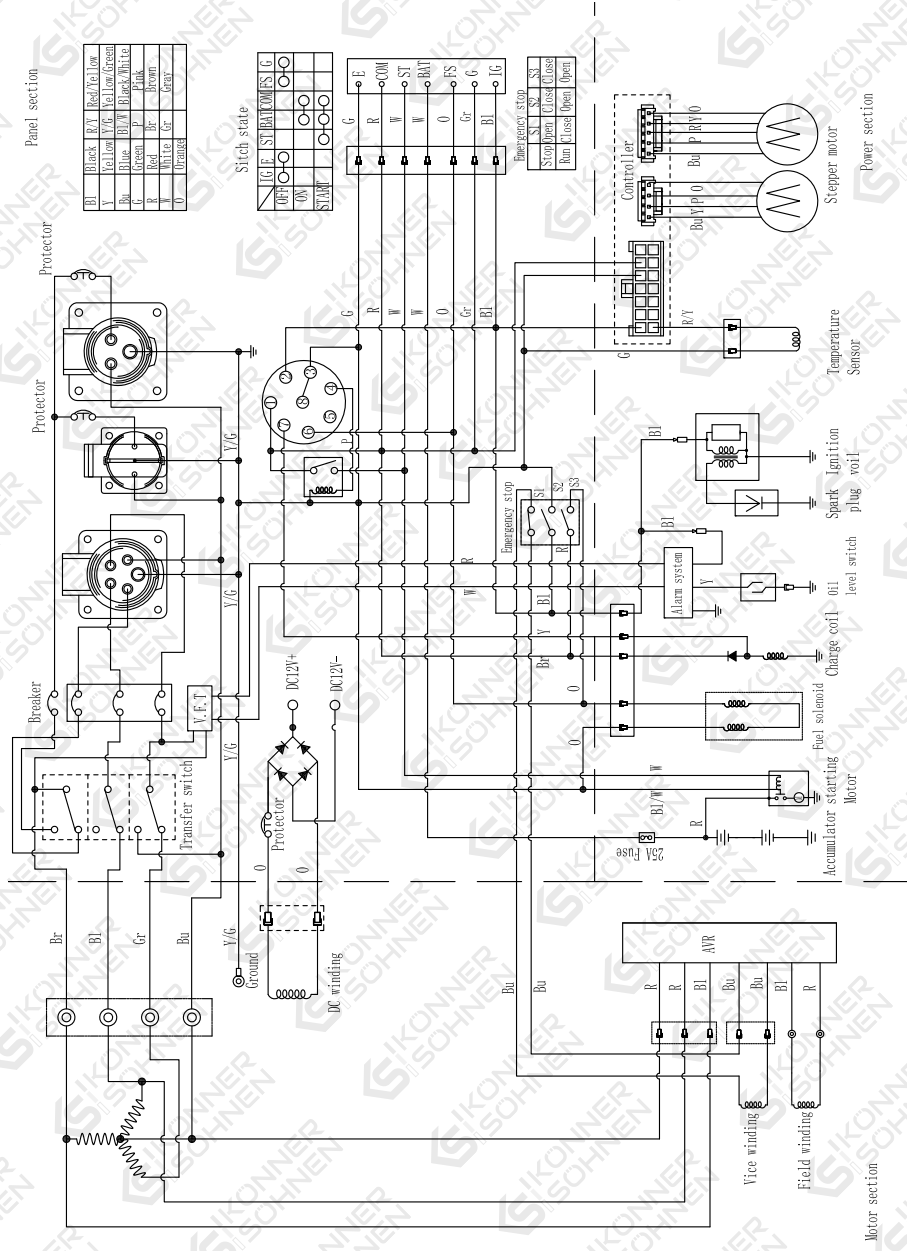
Emergency stop	Stop	Run
○	○	○
○	○	○



Motor section

Power section

For model KS 12-1E 1/3 ATSR



CONTACTS

konner-sohnen.com

Germany

info@dimaxgroup.de

Poland

info.pl@dimaxgroup.de

Ukraine

sales@ks-power.com.ua